



---

## **BREDA ENERGIA**

**can offer Customer's tailored technical solutions based on a multi-year experience in the manufacturing of high quality products for the oil & gas industry.**

---

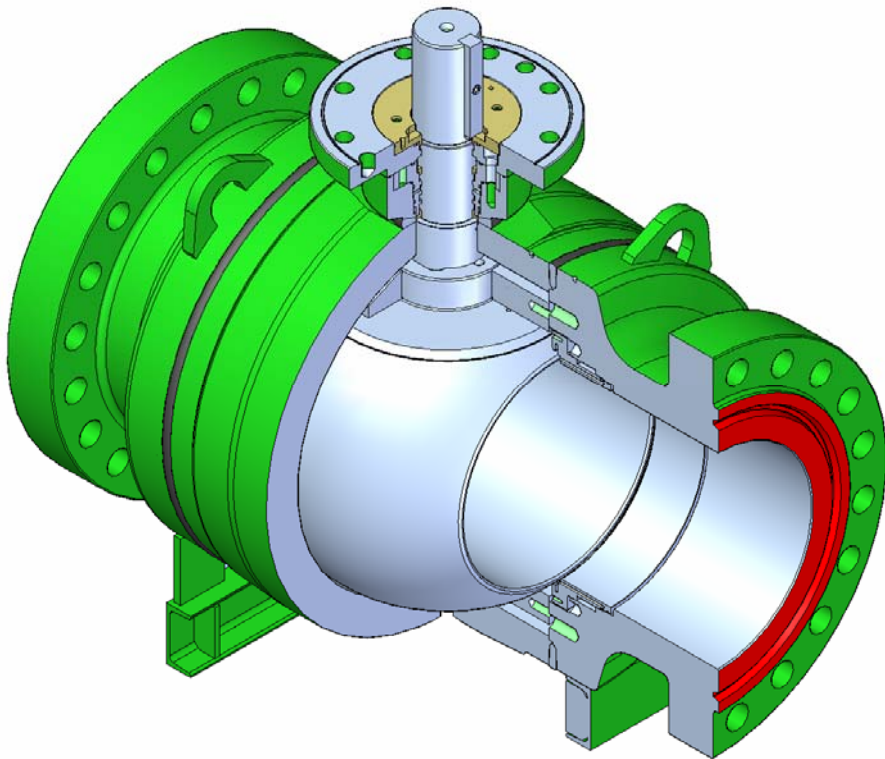


## TRUNNION MOUNTED - BALL VALVES

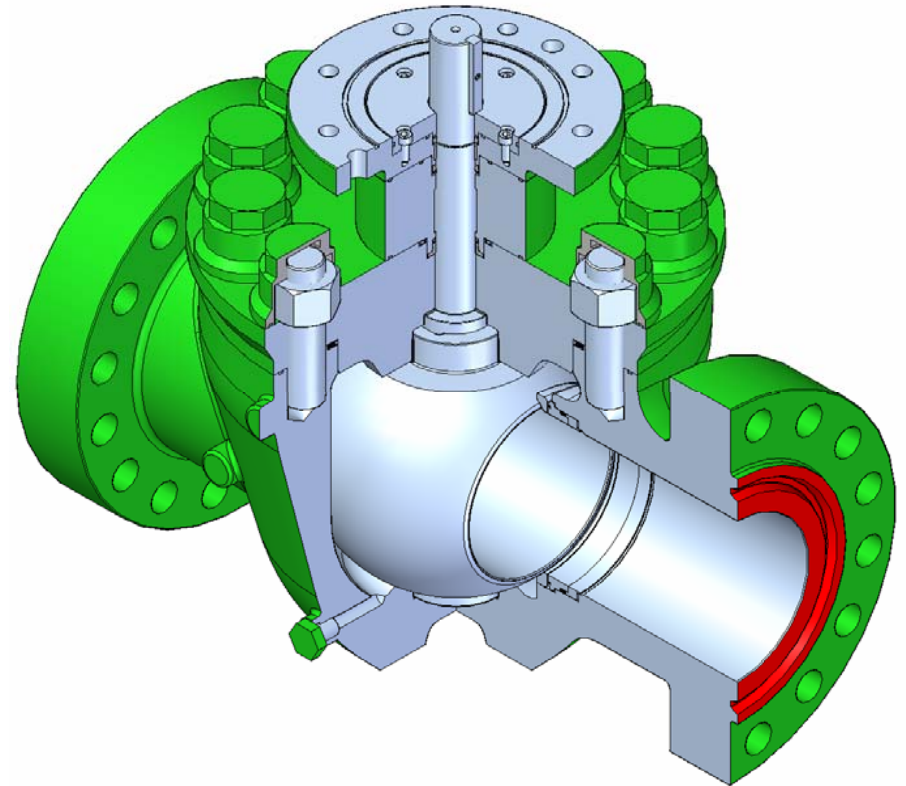
| Product Range  | API 6D  |         |      |      | API 6A         |      |      |      |       |
|--|---|---------|------|------|----------------|------|------|------|-------|
| SERVICE  | PRESSURE RANGE  |         |      |      | PRESSURE RANGE |      |      |      |       |
| Any kind of fluid handled in the oil & gas industry  | ANSI  | ANSI    | ANSI | ANSI | API            | API  | API  | API  | API   |
|  |   | 150÷600 | 900  | 1500 | 2500           | 2000 | 3000 | 5000 | 10000 |
| VALVE TYPE   | SPECIAL SERVICE CONDITIONS  |         |      |      |                |      |      |      |       |
| <b>SIDE ENTRY<br/>&amp;<br/>TOP ENTRY<br/>&amp;<br/>FULLY WELDED</b>   | Low Temperature -46°C<br>Cryogenic up to -196°C<br>Subsea installation<br>Underground installation<br>High Temperature up to 345°C<br>Underground Low Temperature -46°C<br>D.B.B. - Twin Valves |         |      |      |                |      |      |      |       |
| SUPPLEMENTARY REQUIREMENTS   |   |         |      |      |                |      |      |      |       |
| HIGH PRESSURE H <sub>2</sub> /N GAS TEST<br>FUGITIVE EMISSION GAS TEST<br>ADVANCED WEAR & CORROSION RESISTANT COATING<br>SPECIAL GASKETS SOLUTION FOR VERY AGGRESSIVE MEDIUM<br>FIRE PROOF |   |         |      |      |                |      |      |      |       |



# Subsea Ball Valves



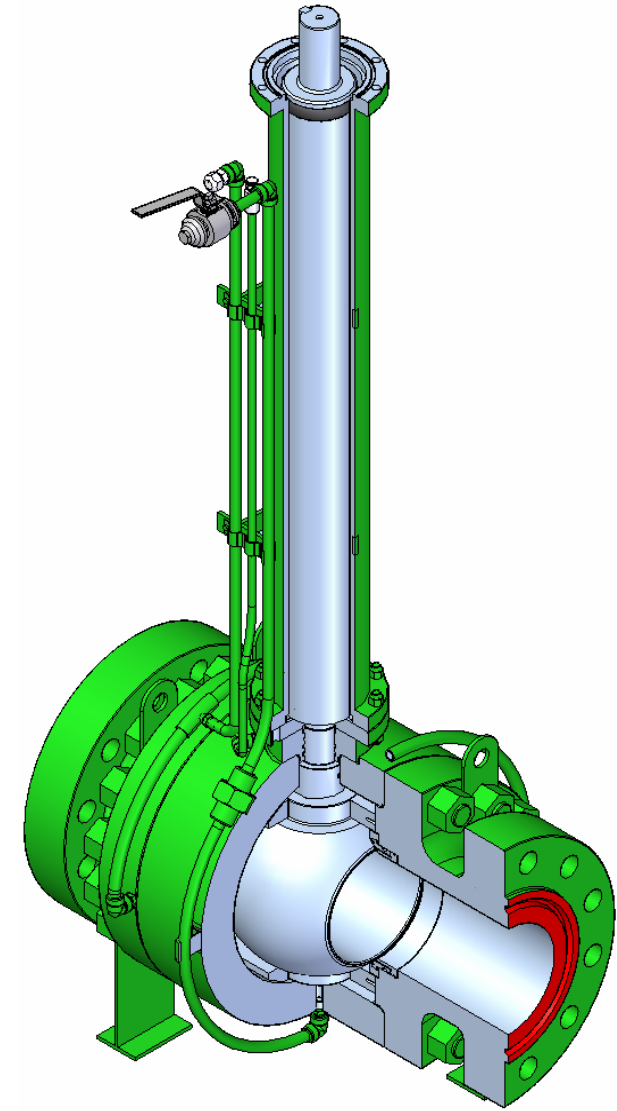
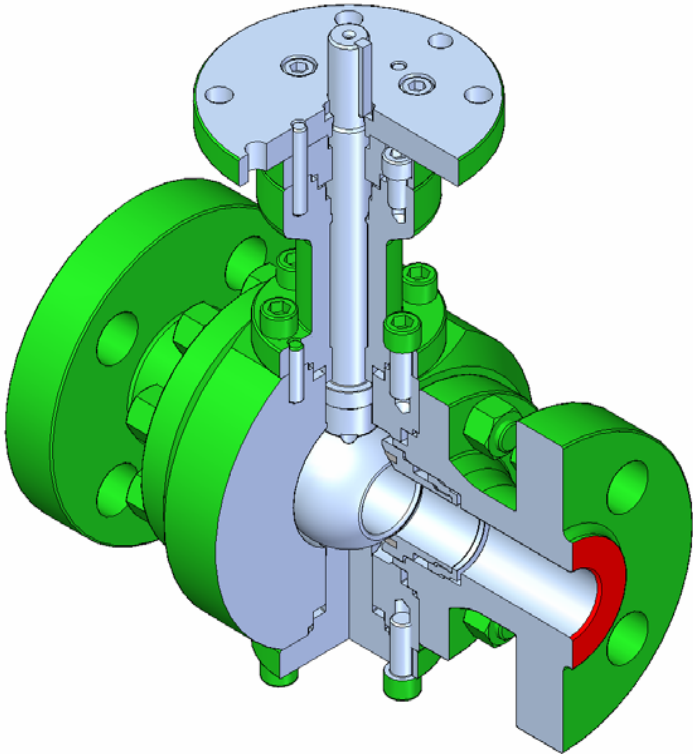
**FULLY WELDED  
BALL VALVE**



**TOP ENTRY  
BALL VALVE**



**SIDE ENTRY BALL VALVE  
CRYOGENIC  
SERVICE**



**SIDE ENTRY BALL VALVE W/  
EXTENDED STEM FOR UNDERGROUND  
INSTALLATION**



**DOUBLE BLOCK & BLEED  
SIDE ENTRY TWIN BALL  
VALVE**

