



---

## **BREDA ENERGIA**

**can offer Customer's tailored technical solutions based on a multi-year experience in the manufacturing of high quality products for the oil & gas industry.**

---

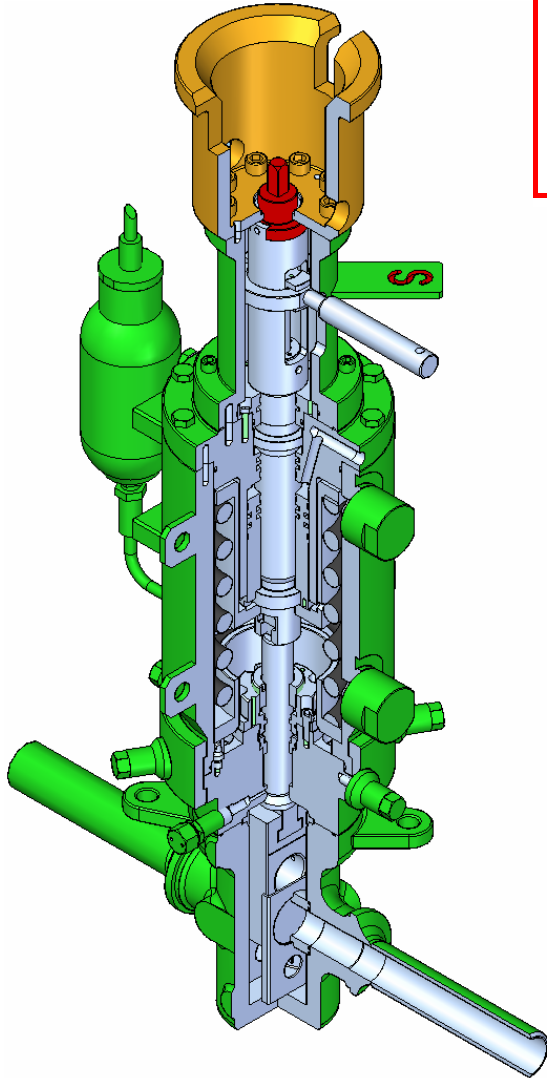


## THROUGH CONDUIT - GATE VALVES

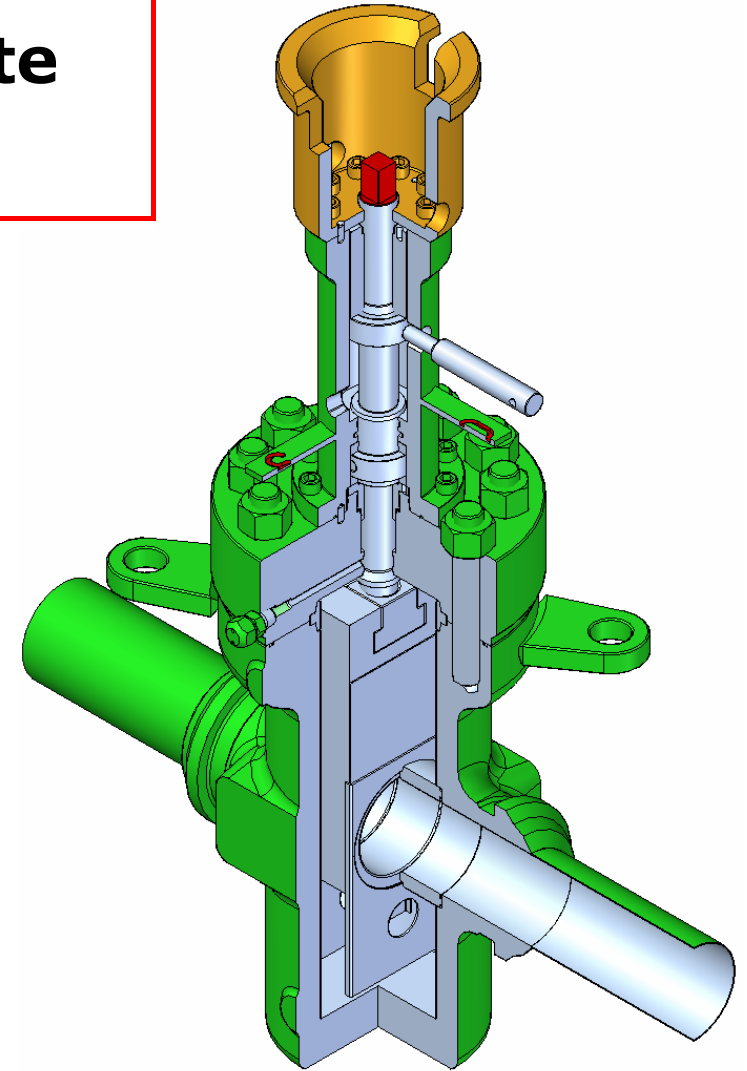
Product Range	API 6D				API 6A				
SERVICE	PRESSURE RANGE				PRESSURE RANGE				
Any kind of fluid handled in the oil & gas industry	ANSI	ANSI	ANSI	ANSI	API	API	API	API	API
		150÷600	900	1500	2500	2000	3000	5000	10000
VALVE TYPE	SPECIAL SERVICE CONDITIONS								
<b>SLAB GATE &amp; EXPANDING GATE</b>	Low Temperature -46°C Cryogenic up to -196°C Subsea installation Underground installation High Temperature up to 345°C Underground Low Temperature -46°C D.B.B. - Twin Valves								
SUPPLEMENTARY REQUIREMENTS									
HIGH PRESSURE H <sub>2</sub> /N GAS TEST FUGITIVE EMISSION GAS TEST ADVANCED WEAR & CORROSION RESISTANT COATING SPECIAL GASKETS SOLUTION FOR VERY AGGRESSIVE MEDIUM FIRE PROOF									



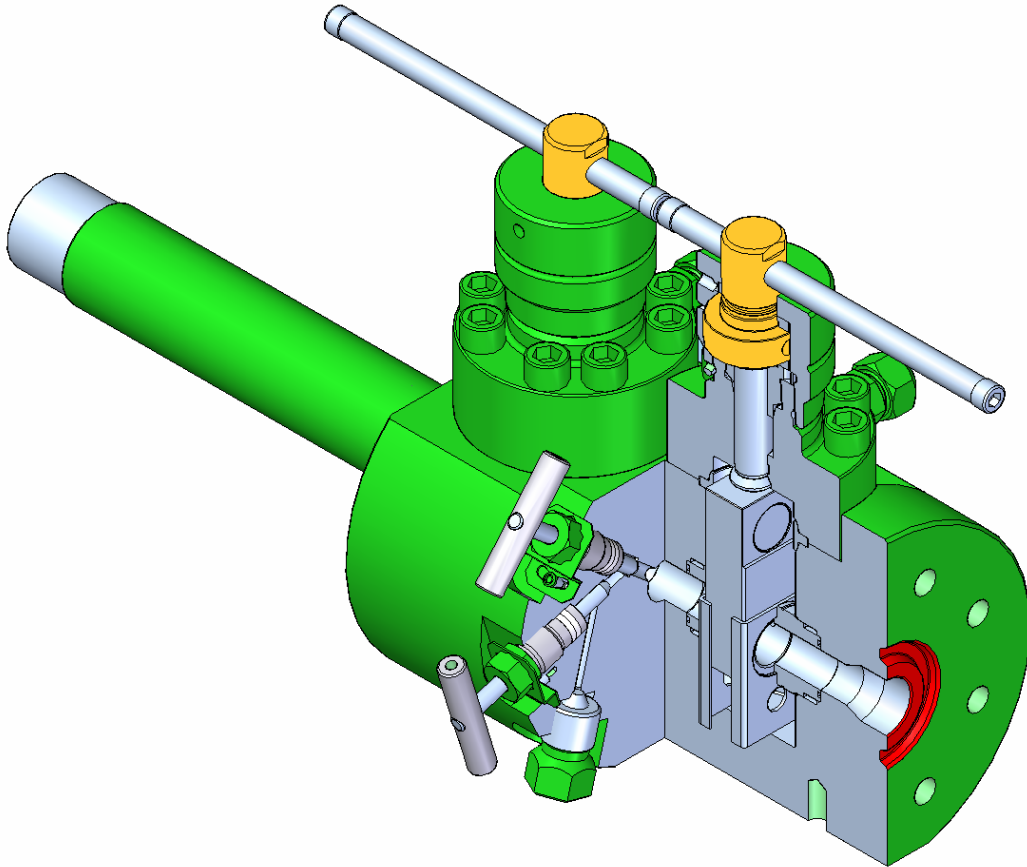
## Subsea Gate Valves



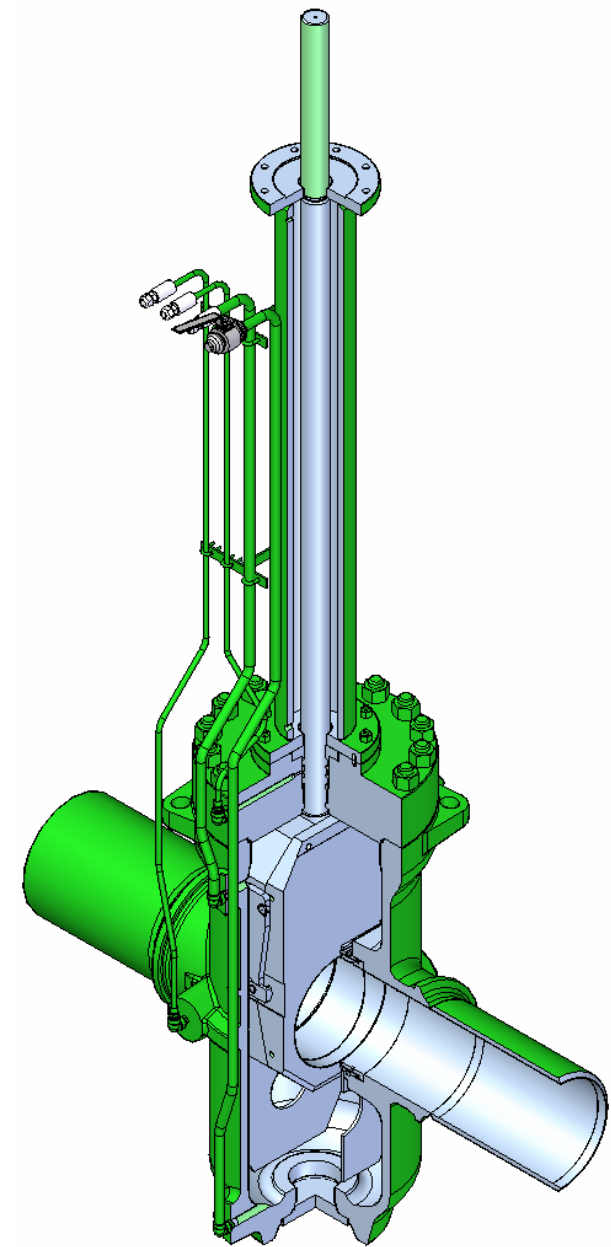
**EMERGENCY SHUT DOWN  
GATE VALVE**



**ROV OPERATED  
GATE VALVE**



**DOUBLE BLOCK & BLEED  
HIGH PRESSURE TWIN GATE  
VALVE**



**EXPANDING GATE VALVE W/  
EXTENDED STEM FOR UNDERGROUND  
INSTALLATION**