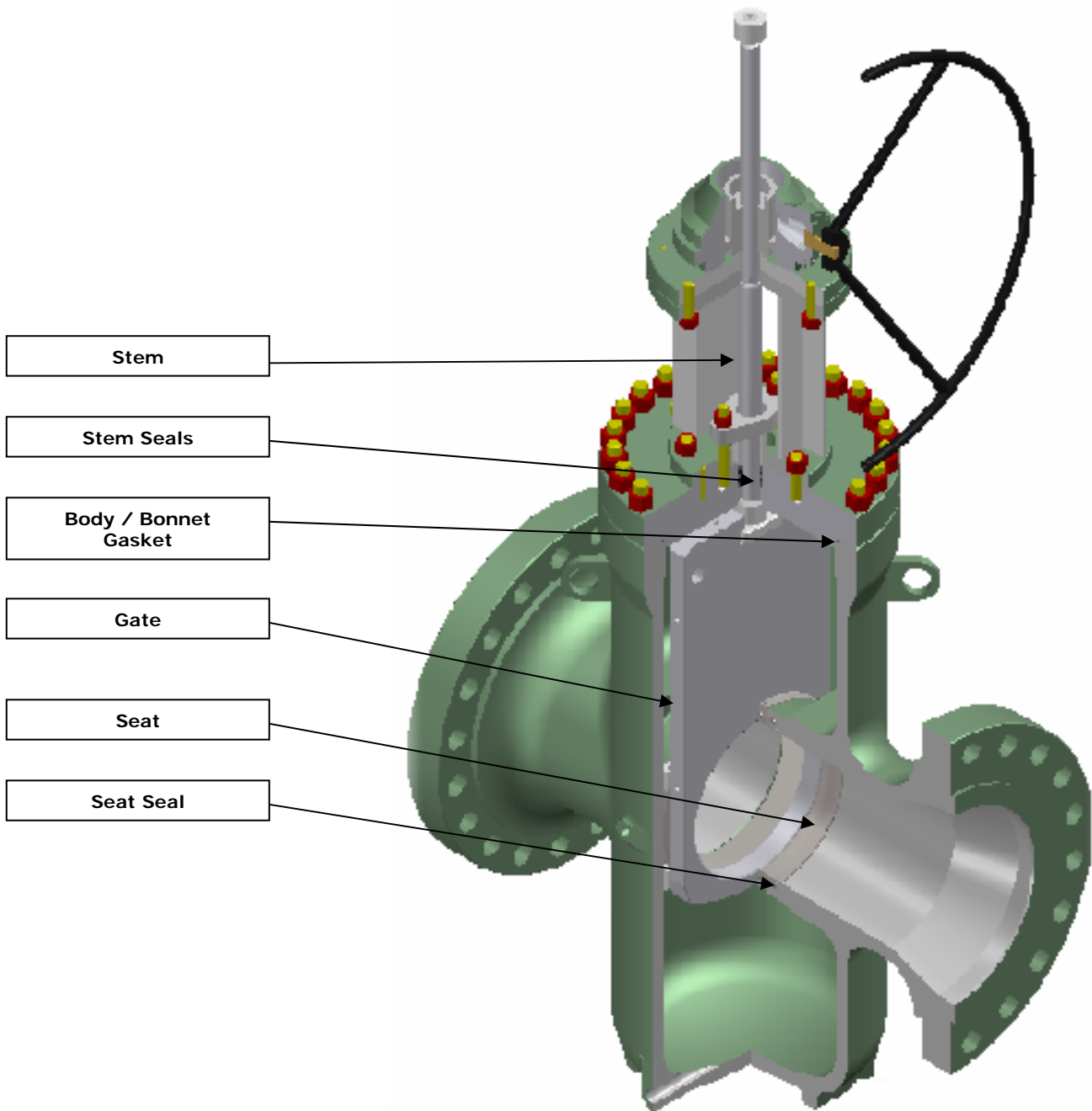




# **SLAB GATE VALVES API 6D**

**Through Conduit  
Slab Gate Valve  
BGC type**



**SLAB GATE VALVES**  
**BGC type**



## TECHNICAL DESCRIPTION

### **Description:**

ON/OFF service valve, Through-conduit, Floating seal, Rising stem  
Cast body, bolted bonnet constructions,  
floating seats energized by springs, Full or Reduced bore,  
Self relieving seat, Bi-Directional.

### **Standard Construction :**

According to API 6D  
Double Block & Bleed design  
Soft seat design  
Anti blow-out stem

### **Standard features:**

Stem grease fitting

### **Option features:**

Grease injection system for emergency seat seal  
Metal to Metal seat design  
Fire safe design  
Backseat design  
OS&Y ( Out-side Screwed & Yoke )

### **Remarks:**

On request, Breda Energia S.p.a. will supply various solutions not listed in this catalogue as pup piece connections, reduction ports, etc., moreover years experience in products for distribution oil & gas allow Breda Energia S.p.a. to build products on special client specifications.



## Product Range

Service	Pressure Range API 6D					
Standard Range ( Inch )	ANSI 150 (19 bar)	ANSI 300 (50 bar)	ANSI 600 (99 bar)	ANSI 900 (149 bar)	ANSI 1500 (248 bar)	ANSI 2500 (414 bar)
	2 up to 56			2 up to 36	2 up to 30	2 up to 16

## Material requirements

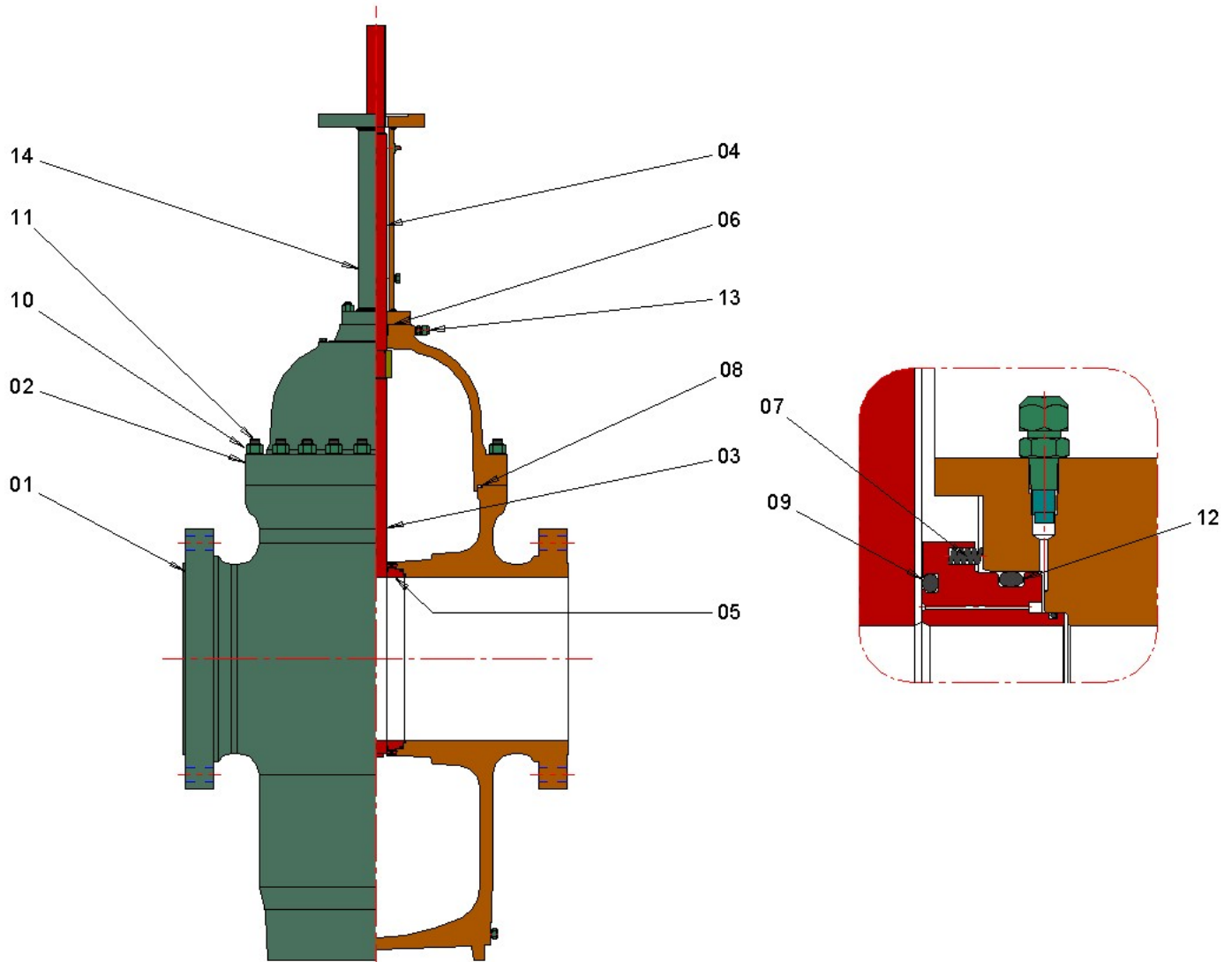
Service Conditions	Body and Bonnet Materials	Trim Materials Stem-Gate-Seat	Material selection general list
General & Sour Service	Carbon Steel	Carbon Steel	<ul style="list-style-type: none"> <li>- Carbon Steel</li> <li>- Low temperature Carbon Steel</li> <li>- Low Alloy Steel</li> <li>- Martensitic Stainless Steel</li> <li>- Austenitic Stainless Steel</li> <li>- Duplex Stainless Steel</li> <li>- Nickel Alloys</li> </ul>
General & Sour Service	Carbon Steel	Stainless Steel	
General & Sour Service	Stainless Steel	Stainless Steel	
Materials selection will be performed in accordance with Client data sheet / Specification			

## Temperature ratings

Temperature Classification	Operating Range	
	°C from min. up to Max.	
	min.	Max.
Standard	-29	121
Low temperature	-46	121
Cryogenic	-196	121
High Temperature	-29	350



## Part List & Spare Parts



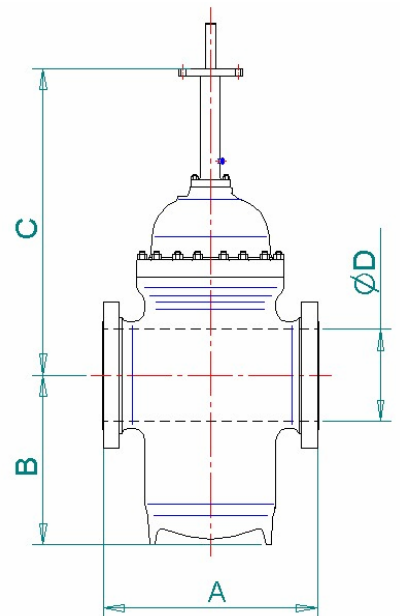
Part N°	Description	Recommended Spare Parts
01	Body	n.a.
02	Bonnet	n.a.
03	Gate	n.a.
04	Stem	n.a.
05	Seat	n.a.
06	Stem Packing	<b>Yes</b>
07	Seat spring	n.a.
08	Body/Bonnet Gasket	<b>Yes</b>
09	Seat O'ring	<b>Yes</b>
10	Body stud nuts	n.a.
11	Body studs	n.a.
12	Seal O'ring	<b>Yes</b>
13	Grease Fitting Port	n.a.
14	Yoke	n.a.



## Overall Dimensions

ASME 150							
Nominal Size ( inch )	D	A			B	C	Weight ( Kg. )
		RF	RTJ	WE			
6	153	267	279	403	322	612	180
8	204	292	305	419	416	758	330
10	254	330	343	457	487	923	470
12	305	356	368	502	565	1078	565
14	337	381	394	572	619	1157	880
16	388	406	419	610	698	1271	1000
18	438	432	445	660	777	1408	1490
20	489	457	470	711	858	1543	1790
22	540	-	-	-	960	1795	-
24	591	508	521	813	1040	1870	2590
26	635	559	-	864	1120	2081	3000
28	686	610	-	914	1200	2175	3495
30	736	660	-	914	1295	2285	4000
32	781	711	-	965	1357	2391	4600
34	832	762	-	1016	1420	2620	5200
36	876	813	-	1016	1500	2685	5670
38	927	-	-	-	1580	2923	6300
40	978	915	-	915	1634	2890	7000
42	1023	965	-	965	1725	3067	7700
48	1168	1118	-	1118	1960	3472	9900
56	1384	-	-	-	2270	4180	13200
60	1464	1423	-	1423	2413	4206	15000

**Note :**  
 - Dimensions in mm.  
 - Dimensions and weights are subject to change without notice

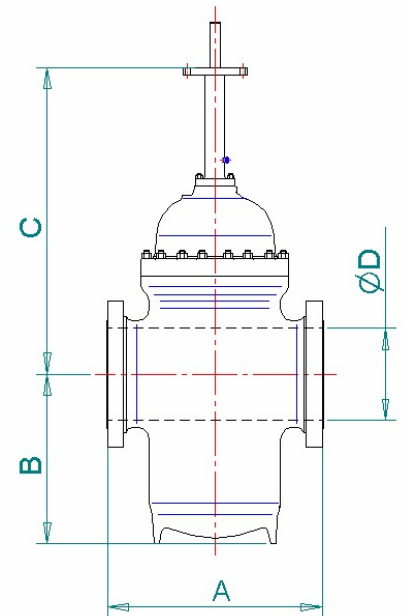




## Overall Dimensions

ASME 300							
Nominal Size	D	A			B	C	Weight
( inch )		RF	RTJ	WE			
6	153	403	419	403	339	631	250
8	204	419	435	419	415	800	400
10	254	457	473	457	495	946	590
12	305	502	518	502	578	1058	780
14	337	762	778	762	619	1146	1100
16	388	838	854	838	698	1271	1500
18	438	914	930	914	780	1450	1900
20	489	991	1010	991	855	1585	2400
22	540	1092	1114	1092	954	1760	2850
24	591	1143	1165	1143	1030	1849	3400
26	635	1245	1270	1245	1120	2068	4200
28	686	1346	1372	1346	1190	2190	5000
30	736	1422	1422	1397	1290	2337	5850
32	781	1524	1553	1524	1350	2495	6700
34	832	1626	1654	1626	1440	2635	7800
36	876	1727	1756	1727	1510	2669	8800
38	927	-	-	-	1580	2890	10000
40	978	1931	-	1931	1639	3016	10500
42	1023	-	-	-	1740	3185	12600
48	1168	2286	-	2286	1953	3555	18050
56	1384	-	-	-	2275	4135	25700
60	1464	-	-	-	2425	4480	30800

**Note :**  
 - Dimensions in mm.  
 - Dimensions and weights are subject to change without notice

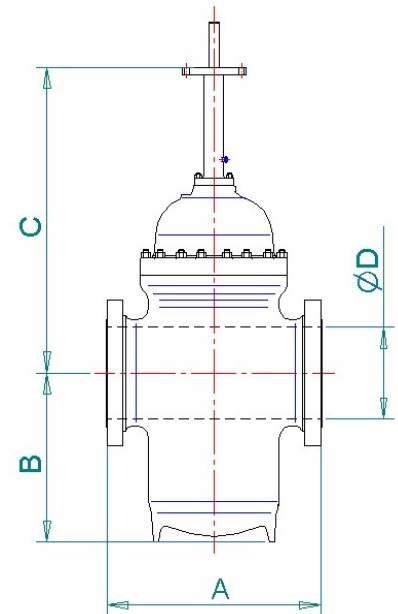




## Overall Dimensions

ASME 600							
Nominal Size ( inch )	D	A			B	C	Weight ( Kg. )
		RF	RTJ	WE			
6	153	559	562	559	339	654	380
8	204	660	664	660	417	757	510
10	254	787	791	787	493	922	900
12	305	838	841	838	578	1058	1200
14	337	889	892	889	619	1150	1360
16	388	991	994	991	698	1293	2250
18	438	1092	1095	1092	785	1490	2900
20	489	1194	1200	1194	867	1560	3700
22	540	1295	1305	1295	975	1860	4500
24	591	1397	1407	1397	1042	1900	5020
26	635	1448	1461	1448	1138	2130	6600
28	686	1549	1562	1549	1220	2265	7500
30	736	1651	1654	1651	1305	2383	8700
32	781	1778	1794	1778	1375	2550	10000
34	832	1930	1946	1930	1450	2715	11500
36	876	2083	2099	2083	1519	2747	13100
38	927	-	-	-	1600	2960	15000
40	978	-	-	-	1680	3105	17000
42	1023	2439	-	2439	1745	3134	18950
48	1168	2794	-	2794	1985	3615	26500
56	1384	2500	-	2500	2315	4280	40000
60	1464	-	-	-	2475	4570	49000

**Note :**  
 - Dimensions in mm.  
 - Dimensions and weights are subject to change without notice



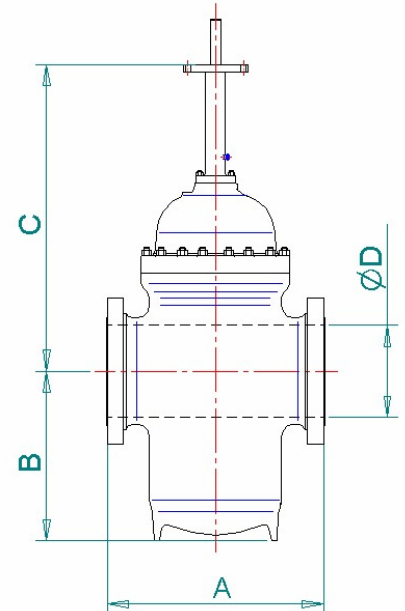




## Overall Dimensions

ASME 900							
Nominal Size ( inch )	D	A			B	C	Weight ( Kg. )
		RF	RTJ	WE			
6	153	610	613	610	337	632	600
8	204	737	740	737	417	790	800
10	254	838	841	838	493	934	1100
12	305	965	968	965	583	1102	1500
14	324	1029	1038	1029	624	1197	2000
16	375	1130	1140	1130	707	1333	2700
18	425	1219	1232	1219	786	1488	3450
20	473	1321	1334	1321	877	1704	4500
22	524	-	-	-	946	1590	5700
24	572	1549	1568	1549	1062	1956	6300
26	619	1702	-	1702	1153	2162	8850
28	667	-	-	-			11000
30	714	1800	-	1800	1327	2496	13800
36	-	2286	2315	2286	1533	3150	23960

**Note :**  
 - Dimensions in mm.  
 - Dimensions and weights are subject to change without notice





## Overall Dimensions

ASME 1500							
Nominal Size ( inch )	D	A			B	C	Weight ( Kg. )
		RF	RTJ	WE			
6	146	705		705	342	660	680
8	194	832	841	832	430	858	900
10	241	991	1000	991	511	1022	1600
12	289	1130	1146	1130	593	1152	2130
14	318	1257	1276	1257	633	1230	2400
16	362	1384	1407	1384	733	1441	4000
18	406	1537	1559	1537	816	1593	5150
20	451	1664	1686	1664	906	1741	6550
22	492	-	-	-	1020	2050	8000
24	534	1943	1972	1943	1086	2087	8900

**Note :**  
 - Dimensions in mm.  
 - Dimensions and weights are subject to change without notice

