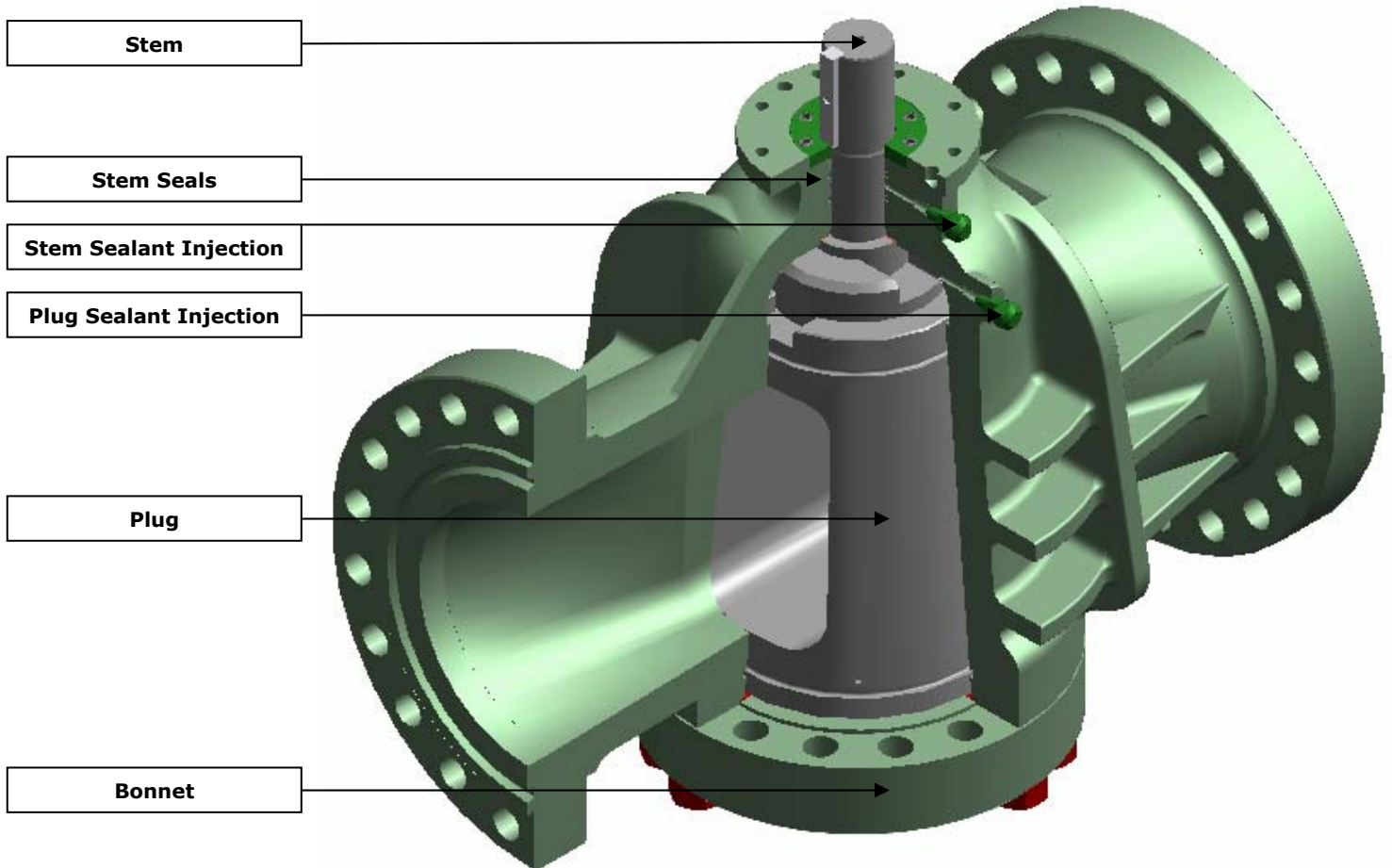




**PRESSURE BALANCED
PLUG VALVES
API 6D**

**Plug Valves
type PD**



**Plug Valve
type PD**



TECHNICAL DESCRIPTION

Description:

Breda Pressure Balanced Plug Valves are designed for a long service life. Plug and body have tapered surfaces lapped for precise seat mating. Plug pressure is balanced by two holes connecting the plug port to the lower and upper chamber avoiding the possibility of plug locking. The plug and stem are separated pieces to allow the plug to float by pressure effect.

Pressure Balanced Plug Valves are ON/OFF service valves, reduced bore, Bi-Directional.

An efficient lubrication system allows a perfect grease distribution preventing corrosion, optimizing the sealing and providing a smooth operation.

Design Code:

According to API 6D specification.

Standard features:

- Emergency Sealant Grease injection on stem
- Emergency Sealant Grease injection on Plug
- Fire safe design according to API 6FA – API 607 – BS 6755 Part.2
- Triple stem seals
- Antistatic device
- Anti-blowout stem

Option features:

Stem extension for buried installation design.

Remarks:

On request, Breda Energia will issue various technical solutions not listed in this catalogue. Years of experience in products for distribution of oil & gas allow Breda Energia to supply products on special client specifications.



- API 6D -

Product Range

Service	Pressure Range API 6D					
Standard Range (Inch)	ANSI 150 (19 bar)	ANSI 300 (50 bar)	ANSI 600 (99 bar)	ANSI 900 (149 bar)	ANSI 1500 (248 bar)	ANSI 2500 (414 bar)
	2 up to 30			2 up to 30	2 up to 24	2 up to 12

Material requirements

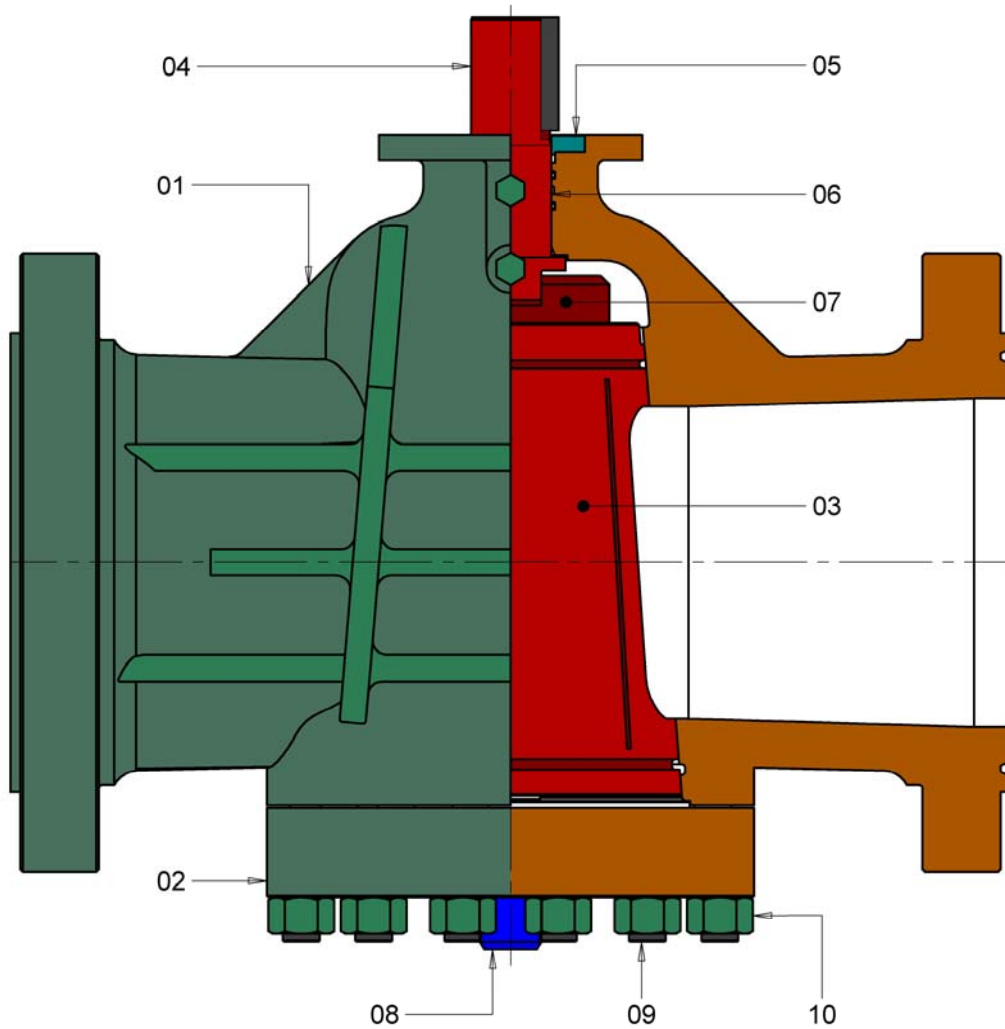
Service Conditions	Body and Closure Materials	Trim Materials Stem-Ball-Seat	Material selection general list
General & Sour Service	Carbon Steel	Carbon Steel	<ul style="list-style-type: none"> - Carbon Steel - Low temperature Carbon Steel - Low Alloy Steel - Martensitic Stainless Steel - Austenitic Stainless Steel - Duplex Stainless Steel - Nickel Alloys
General & Sour Service	Carbon Steel	Stainless Steel	
General & Sour Service	Stainless Steel	Stainless Steel	
Materials selection will be performed in accordance with Client data sheet / Specification			

Temperature ratings

Temperature Classification	Operating Range	
	°C from min. up to Max.	
	min.	Max.
Standard	-29	121
Low temperature	-46	121
Cryogenic	-196	121
High Temperature	-29	350



Part List & Spare Parts



Part N°	Description	Recommended Spare Parts
01	Body	n.a.
02	Bonnet	n.a.
03	Plug	n.a.
04	Stem	n.a.
05	Gland plate	n.a.
06	Stem Gaskets	Yes
07	Oldham coupling	n.a.
08	Plug adjustment screw	n.a.
09	Body Studs	n.a.
10	Body Stud Nuts	n.a.