



## BS WELLHEAD

The BS wellhead is based upon a straight bore bowl with a 45° shoulder to support casing loads.

Three configurations of casing slips assemblies are available depending upon application requirements.

The casing slips assembly is latched around the casing and lowered into the casing head after the cementing job.

In addition to the standard type GS secondary packing group a selection of secondary seals and pack-off is available to meet special requirements.

Working Pressure: up to 10000psi (excluding Tubing Spool)

Temperature range: -29°C +121°C

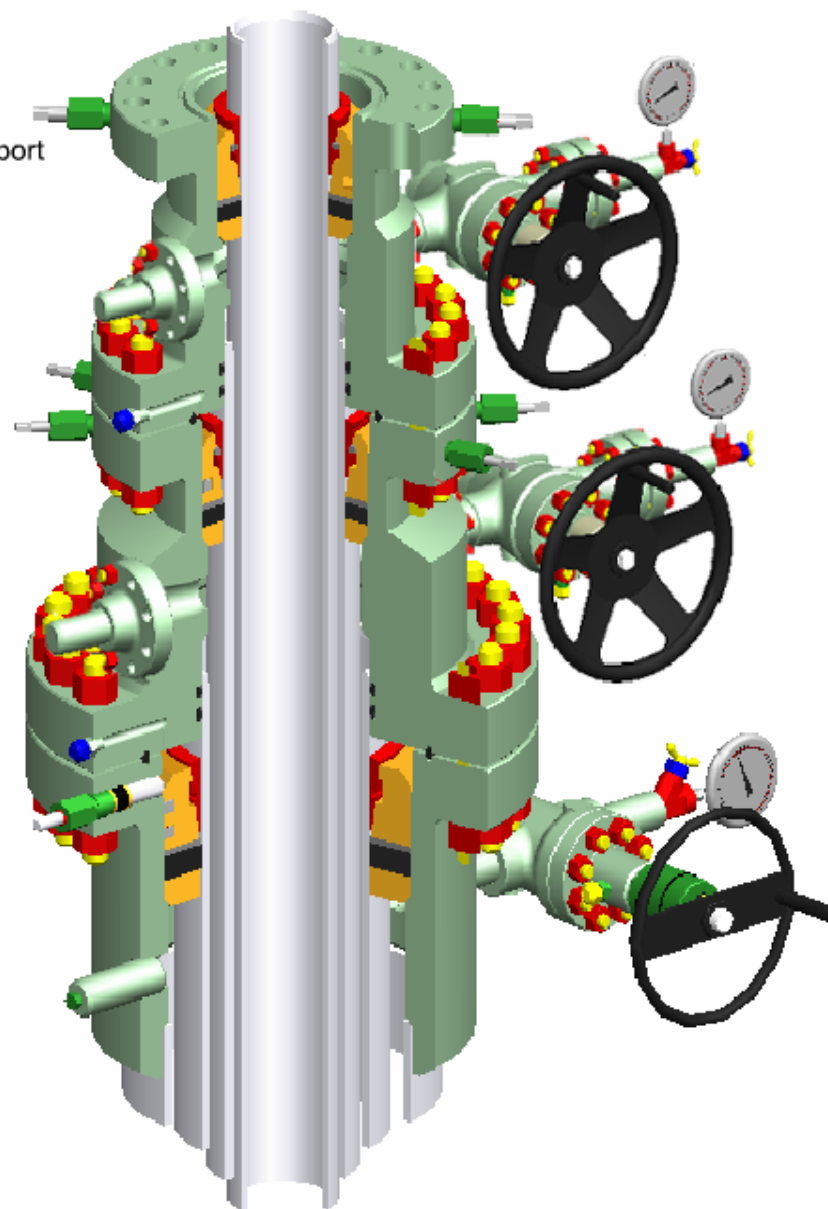
Casing Head Housing: BS, BS-P, BS-A

Casing Head Spools: BS, BS-P, BS-A

Casing Hangers: BS, BS-M, BS-G, slip and seal assemblies

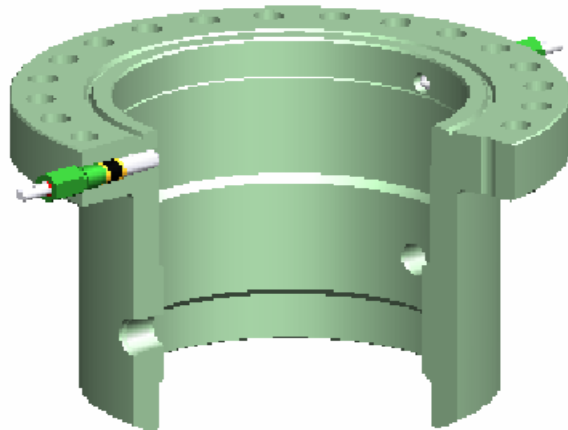
Tubing Spools and Hangers: all types (see completion section)

Other requirements not covered by this notes are available on request.

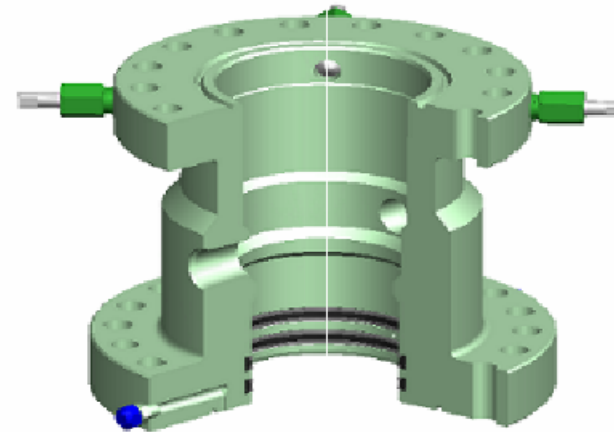




### TYPE BS CASING HEAD HOUSING



### TYPE BS CASING HEAD SPOOL



#### Type BS Casing Head Housings and Spools

The BS Casing Head Housing is attached to the uppermost end of the surface casing and suspends and seals the next casing string.

The BS Casing Head Spool is installed on the lower casing head and suspends and seals the next casing string.

The BS bowl has a 45° shoulder to support the chosen slip casing hanger therefore the hoop stress in the spool wall is minimized.

Mandel casing hangers can also be used.

Side outlets: Studded with VRP thread or LP threaded

Secondary seals: single and double GS seals, single and double P seal, seal bushing, D metal seal.

Test and injection ports: Injection ports are complete with a check valve. Vent ports are also provided.

Housing bottom connections: Slip on weld, casing box thread, Sliplock connection.

Landing Base: To transfer wellhead loads to the conductor pipe Landing Base can be used.

The conventional landing base is welded on the field, while the prefabricated type is installed without welding to the casing head housing.

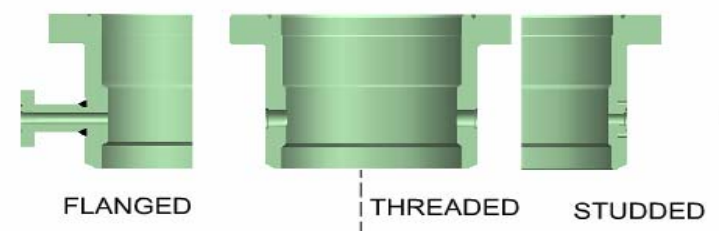
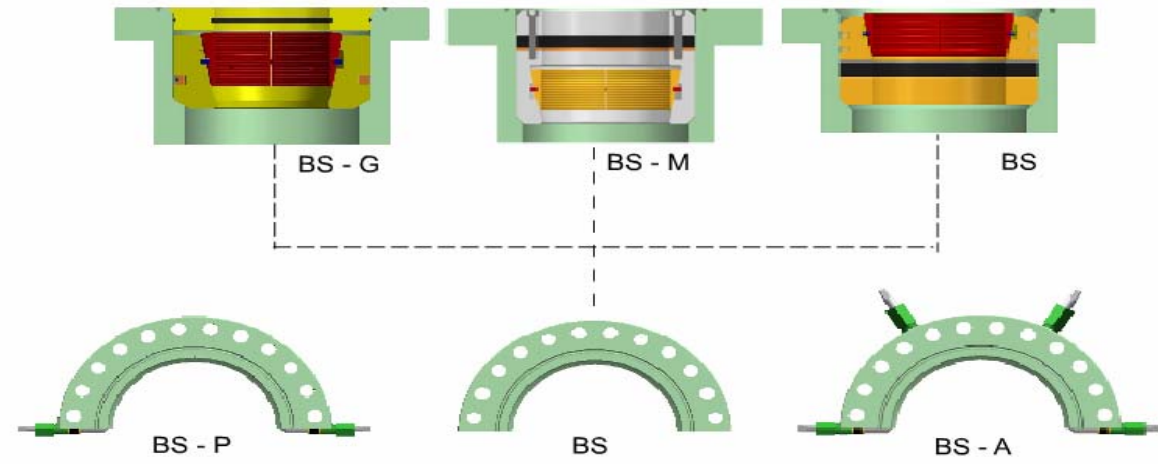
Three BS spools are available:

BS Housing and Spool with no anchor screws on upper flange

BS-P Housing and Spool with two anchor screws for Bore Protector retention

BS-A Housing and Spool with anchor screws on upper flange for Hanger/Pack-off retention.

Slip Hanger	Spool	WP (psi)	Seal setting	Seal replaceable with hanger installed
BS	BS, BS-P, BS-A	10000	Casing load	No
BS-M	BS	10000	Screws	Yes
BS-G	BS	5000	GS Seals	Yes



**BS CASING HEAD HOUSINGS**  
have several options for side outlets:

